

# DELABIE

# SECURITHERM

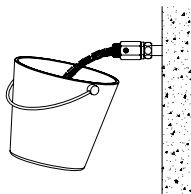
**NT H9600**

Indice D

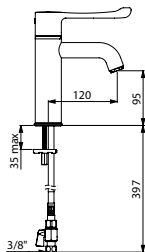
- FR** *Mitigeur de lavabo thermostatique séquentiel*
- EN** *Single lever sequential thermostatic mixer for washbasins*
- DE** *Sequentielle Thermostat-Mischbatterie für Waschtisch*
- PL** *Sekwencyjna bateria termostatyczna do umywalki*
- NL** *Thermostatische sequentiële wastafelmengkraan*
- ES** *Grifo mezclador termostático secuencial de lavabo*
- PT** *Misturadora de lavatório termostática sequencial*
- RU** *Термостатический смеситель для раковины с последовательным открытием.*



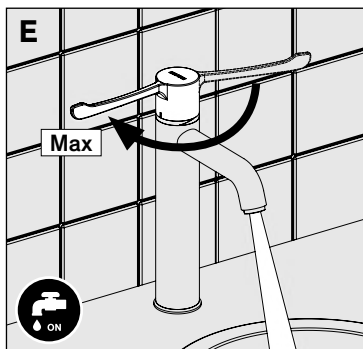
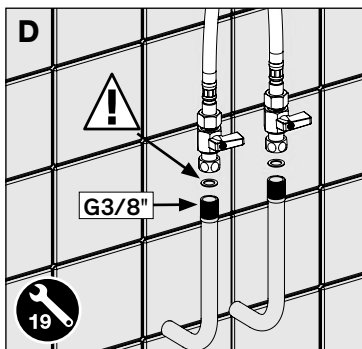
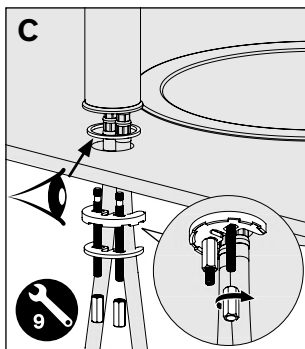
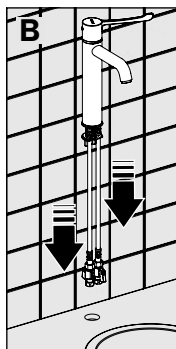
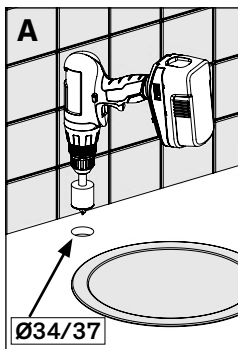
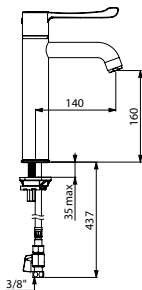
- FR** *Purger soigneusement les canalisations avant la pose et la mise en service du produit.*
- EN** *Thoroughly flush the pipes to remove any impurities before installing and commissioning the product.*
- DE** *Vor Montage und Inbetriebnahme des Produkts die Anschlussleitungen regelkonform spülen.*
- PL** *Dokładnie wypłukać instalację przed montażem i uruchomieniem produktu.*
- NL** *Spoel zorgvuldig de leidingen alvorens tot installatie of ingebruikname van de kraan over te gaan.*
- ES** *Purgar cuidadosamente las tuberías antes de la instalación y de la utilización del producto.*
- PT** *Purgar cuidadosamente as canalizações antes da instalação e utilização do produto.*
- RU** *Перед установкой и подключением устройства тщательно промыть канализационные трубы напором воды.*

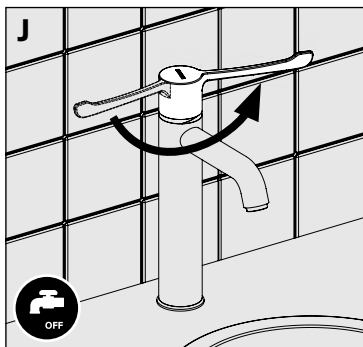
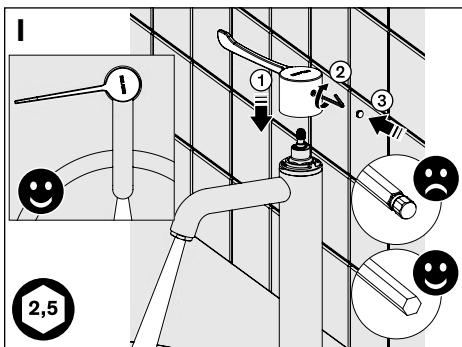
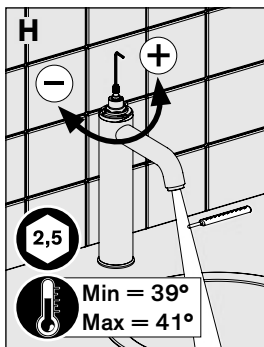
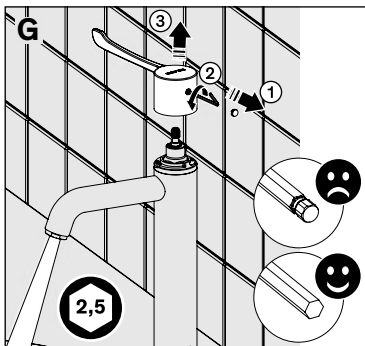
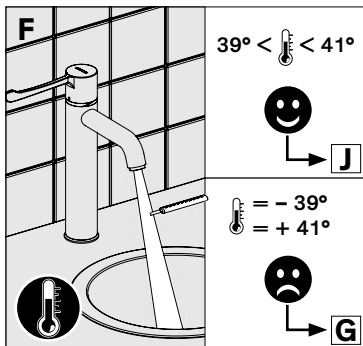


## H9600 - H9605



## H9620 - H9625







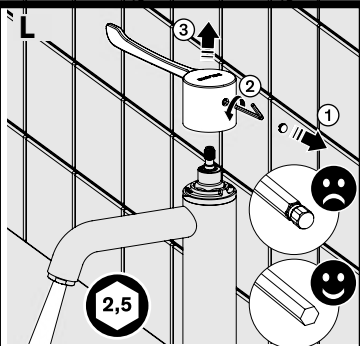
K

Max



L

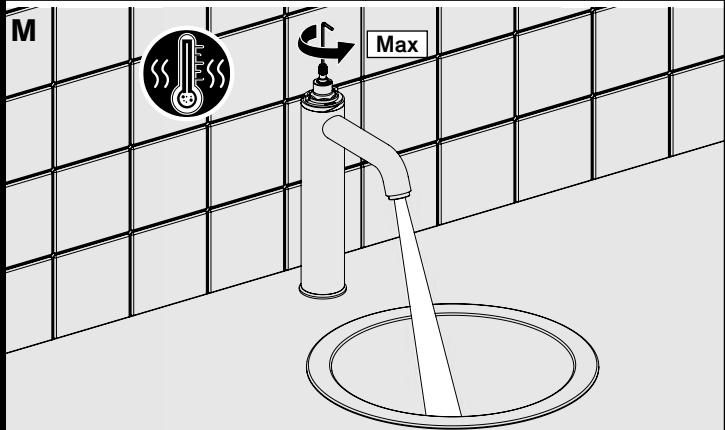
2,5



M

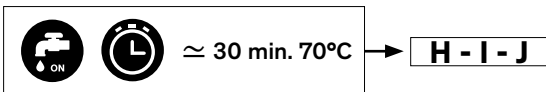


Max



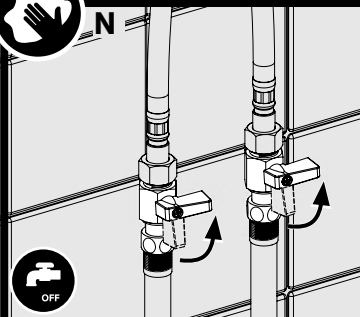
≈ 30 min. 70°C

H-I-J

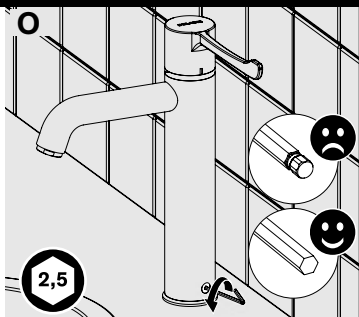




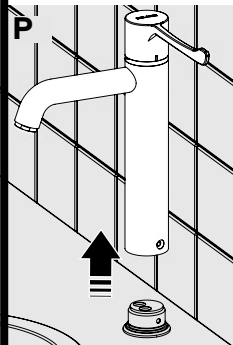
N



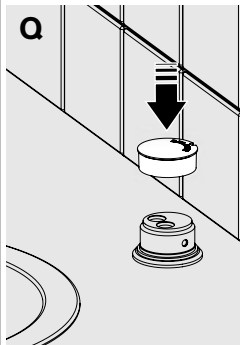
O



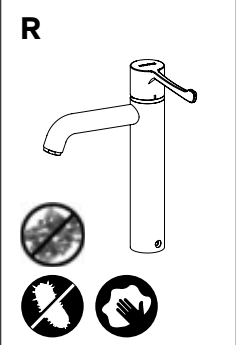
P



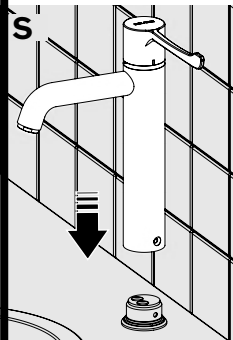
Q



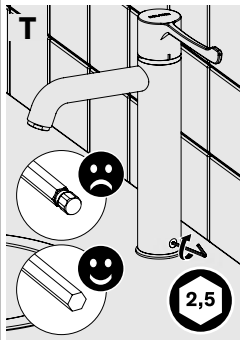
R



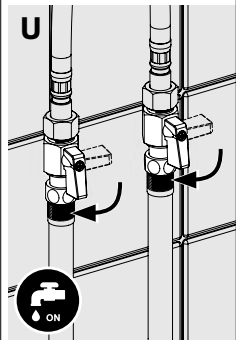
S

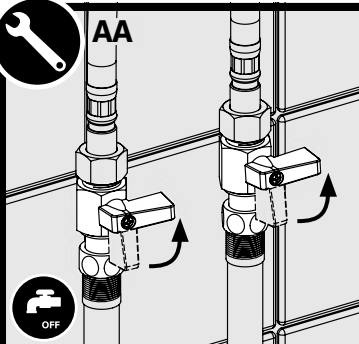
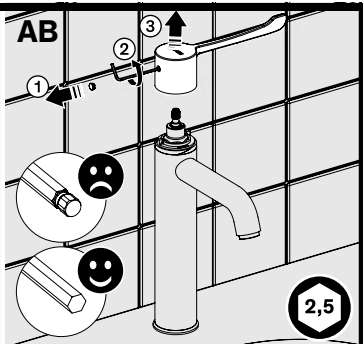
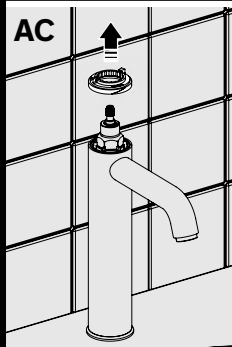
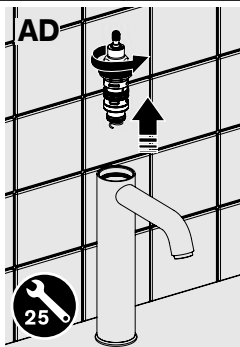
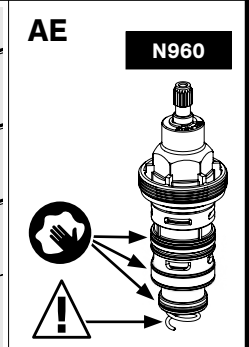
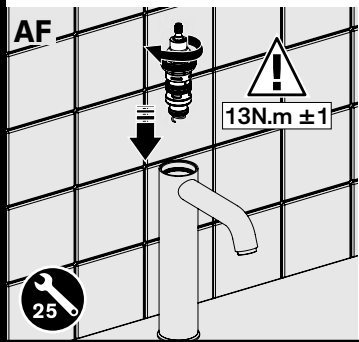
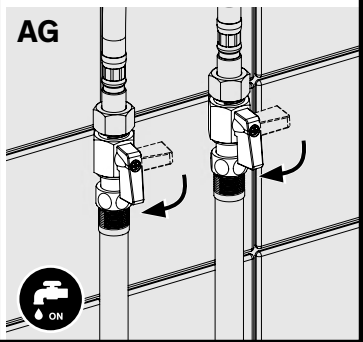


T



U



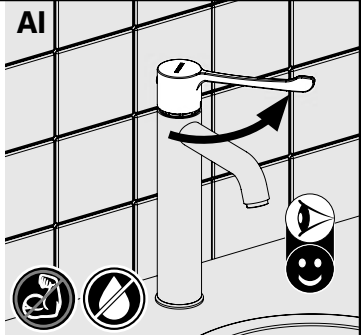
**AA****AB****AC****AD****AE****AF****AG**



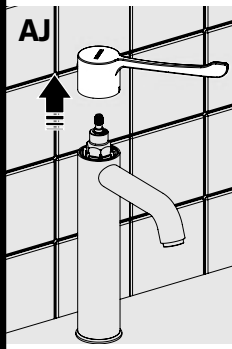
AH



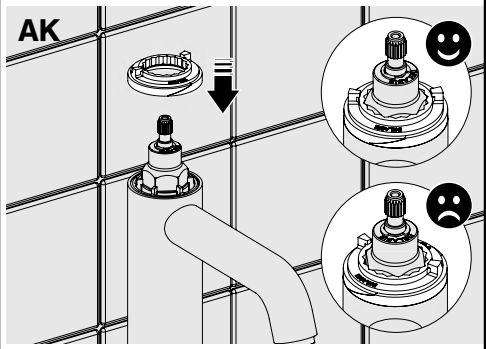
AI



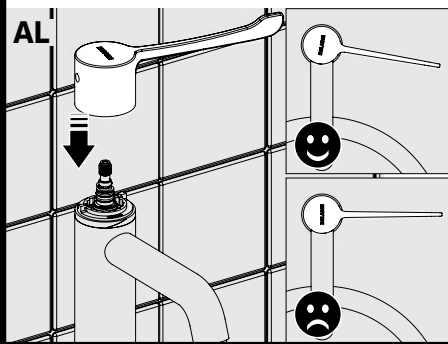
AJ



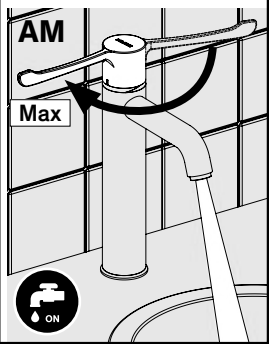
AK

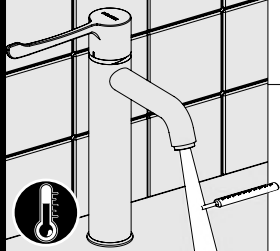
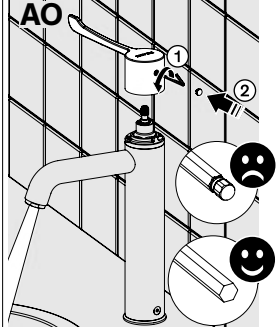
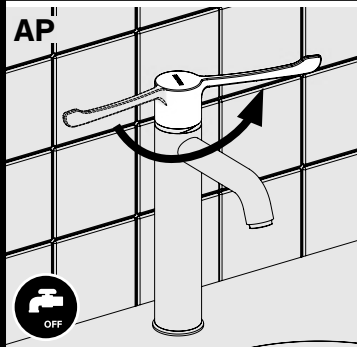
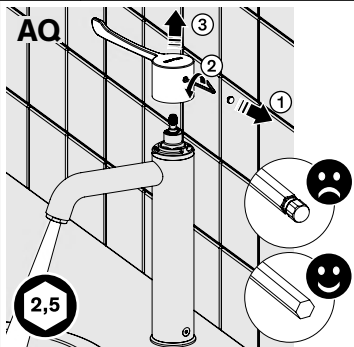
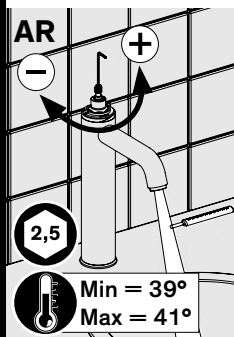
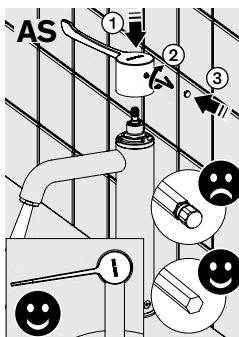
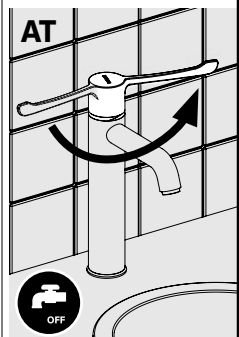


AL



AM



**AN** $39^{\circ} < \text{thermometer} < 41^{\circ}$ **AO**
 $\text{thermometer} = - 39^{\circ}$   
 $\text{thermometer} = + 41^{\circ}$ 
**AQ****AO****AP****AQ****AR**
 Min =  $39^{\circ}$   
 Max =  $41^{\circ}$ 
**AS****AT**



- **Nos robinetteries doivent être installées par des installateurs professionnels** en respectant les réglementations en vigueur, les prescriptions des bureaux d'études fluides et les règles de l'art.
- **Respecter le diamètre des tuyauteries** permet d'éviter les coups de bélier ou pertes de pression/débit (voir le tableau de calcul du catalogue et en ligne sur [www.delabie.fr](http://www.delabie.fr)).
- **Protéger l'installation** avec des filtres, antibéliers ou réducteurs de pression diminue la fréquence d'entretien (pression conseillée 1 à 5 bar (100 à 500 kPa)).
- **Poser des vannes d'arrêt** à proximité des robinets facilite l'intervention d'entretien.
- Les canalisations, filtres, clapets antiretour, robinets d'arrêt, de puisage, cartouche et tout appareil sanitaire doivent être vérifiés au moins une fois par an et aussi souvent que nécessaire.

## CARACTÉRISTIQUES TECHNIQUES (Fig. B)

### Débit :

- **Pour les mitigeurs de lavabo H9600/H9605 :**  
température Eau Mitigée à 39°C sous 3 bar de pression : 5 litres/min.
- **Pour les mitigeurs d'évier H9620/H9625 :**  
Température Eau Mitigée à 39°C sous 3 bar de pression : 9 litres/min.

### Sécurité :

- En cas de coupure brutale de l'arrivée d'eau froide ou de l'eau chaude, le débit d'eau mitigée s'arrête en 2 secondes environ.
- Cette sécurité thermique est active si la différence de température entre l'eau chaude et l'eau mitigée est supérieure à 15°C.
- La sécurité antibrûlure doit être vérifiée tous les 2 mois et aussi souvent que nécessaire suivant la qualité de l'eau. Couper l'eau froide et s'assurer que l'eau chaude se bloque en moins de 2 secondes.

En cas d'utilisation d'un système de filtration ou autre à la sortie du bec ou de la pomme de douche, celui-ci doit avoir un débit supérieur à 4 litres par minute pour éviter les phénomènes d'intercommunication entre l'eau chaude et l'eau froide.

**Note :** La sécurité antibrûlure est active en cas de coupure d'eau froide. Si, à la place de l'eau froide, il y a un retour d'eau chaude par l'intermédiaire d'un autre mitigeur, il n'y aura pas de sécurité antibrûlure. Prévoir de mettre un clapet anti-retour sur l'alimentation eau froide du mitigeur.

## ENTRETIEN & NETTOYAGE

- **Nettoyage du chrome, de l'aluminium et de l'inox :** ne jamais utiliser d'abrasifs ou tout autre produit à base de chlore ou d'acide. Nettoyer à l'eau légèrement savonneuse avec un chiffon ou une éponge.
- **Mise hors gel :** purger les canalisations et actionner plusieurs fois la robinetterie pour la vider de son contenu d'eau. En cas d'exposition prolongée au gel, nous recommandons de démonter les mécanismes et de les stocker à l'abri.

### Service Après-Vente :

Tél. : + 33 (0)3 22 60 22 74 - e-mail : [sav@delabie.fr](mailto:sav@delabie.fr)

Notice disponible sur : [www.delabie.fr](http://www.delabie.fr)

- **Our mixers must be installed by professional installers** in accordance with current regulations and recommendations in your country, and the specifications of the fluid engineer.
- **Sizing the pipes correctly** will avoid problems of flow rate, pressure loss and water hammer (see calculation table in our brochure and online at [www.delabie.com](http://www.delabie.com)).
- **Protect the installation** with filters, water hammer absorbers and pressure reducers to reduce the frequency of maintenance (recommended pressure from 1 to 5 bar (100 to 500 kPa) maximum).
- **Install stopcocks** close to the mixer to facilitate maintenance.
- The pipework, filters, non-return valves, stopcocks, bib taps, cartridge and all sanitary fittings should be checked at least once a year, and more frequently if necessary.

## TECHNICAL CHARACTERISTICS (FIG. B)

### Flow rate:

- **For basin mixers H9600/H9605:**  
Mixed Water temperature at 39°C at 3 bar pressure: 5 lpm.
- **For sink mixers H9620/H9625:**  
Mixed Water temperature at 39°C at 3 bar pressure: 9 pm.

### Safety:

- If the cold or hot water fails, the mixed water will shut off within 2 seconds.
- The anti-scalding safety is active if the temperature differential between the hot water and mixed water is more than 15°C.
- Check the anti-scalding failsafe every two months and as often as necessary depending on the water quality. Shut off the cold water and check that the hot water stops within 2 seconds.

When using a filtration device or similar system at the spout outlet or shower head, the flow rate must be higher than 4 litres per minute to avoid cross flow between the hot and cold water.

**Note :** The anti-scalding safety is active if the cold water supply fails. If, instead of cold water, hot water returns through another mixer, there is no anti-scalding safety. We recommend installing a non-return valve on the cold water supply to the mixer.

## MAINTENANCE & CLEANING

- **Cleaning chrome, aluminium and stainless steel:** do not use abrasive, chlorine or any other acid-based cleaning products. Clean with mild soapy water using a cloth or a sponge.
- **Frost protection:** drain the pipes and operate the mixer/tap/valve several times to drain any remaining water. In the event of prolonged exposure to frost, we recommend taking the mechanisms apart and storing them indoors.

### After Sales Care Support:

**For the UK market only:** Tel. 01491 821 821 - **email:** [technical@delabie.co.uk](mailto:technical@delabie.co.uk)

The installation guide is available on: [www.delabie.co.uk](http://www.delabie.co.uk)

**For all other markets:** Tel. +33 (0)3 22 60 22 74 - **email:** [sav@delabie.fr](mailto:sav@delabie.fr)

The installation guide is available on: [www.delabie.com](http://www.delabie.com)

**Deck-mounted basin version**

WRAS Approval No: 1907015  
NSF Certification Number: BC1002/0512

**Certified Applications**

- H9600 Flexible tails fixed
- H9605 Flexible tails Bioclip
- H9600610 Copper tails fixed
- H9605610 Copper tails Bioclip

**Complies with the NHS Model Specification D08, designation HP - WE when operated as set out in table below.**

Operating Pressure Range	High Pressure Systems	Low Pressure Systems
Maximum pressure - bar	10	10
Flow Pressure, Hot and Cold - bar	1 to 5	0.2 to 1
Hot Water Supply Temperature - °C	55 to 65	55 to 65
Cold Water Supply Temperature - °C	5 to 20	5 to 20
Mixed Water Temperature - °C	40.5	40.5

**OPERATION (FIG. B)**

- In position ②, the single lever sequential thermostatic mixer is closed.
- When the control lever ① is turned clockwise, the mixer will start to deliver cold water at the temperature of the cold water supply in position ③. Continue turning the control lever ①, and the water will get progressively hotter up to position ④, which is the maximum hot water position.
- The maximum temperature is pre-set at the factory between 39°C and 41°C with the following parameters: hot and cold water pressures are balanced at 3 bar dynamic pressure; hot water temperature at 65°C +/- 5°C; and cold water temperature at 15°C +/- 5°C.

**TECHNICAL CHARACTERISTICS (FIG. B)**

**Flow rate:**

- **For basin mixers H9600/H9605:**  
Mixed Water temperature at 39°C at 3 bar pressure: 5 lpm.
- **For sink mixers H9620/H9625:**  
Mixed Water temperature at 39°C at 3 bar pressure: 9 pm.

**Safety:**

- If the cold or hot water fails, the mixed water will shut off within 2 seconds.
- The anti-scalding safety is active if the temperature differential between the hot water and mixed water is more than 15°C
- Check the anti-scalding failsafe every two months and as often as necessary depending on the water quality. Shut off the cold water and check that the hot water stops within 2 seconds.

When using a filtration device or similar system at the spout outlet or shower head, the flow rate must be higher than 4 litres per minute to avoid cross flow between the hot and cold water.

**Note:** The anti-scalding safety is active if the cold water supply fails. If, instead of cold water, hot water returns through another mixer, there is no anti-scalding safety. We recommend installing a non-return valve on the cold water supply to the mixer.

- HW supply temperature: 55 - 85°C (the differential between the hot water and the cold water must be at least 50°C).
- CW supply temperature: 5 - 20°C.
- Drill a hole Ø 34mm on the washbasin mounting surface ⑤ and mount the mixer. If necessary, temporarily remove the stopcocks ⑨ to make the fitting easier.
- Tighten the 2 screws ⑦ onto the flange ⑥. Ensure a suitable waterproof seal between the mixer and the work plan appropriate to the type of installation.
- Connect the water supply to the mixer with the M1/2" stopcocks ⑨, making sure the hot and cold water supplies are connected to the correct sides. The presence of filters at the inlets of the stopcocks is obligatory for the protection of the flow rate regulators found in the connectors. These filters enable the restriction of impurities in the flexibles in order to maintain the thermostatic mechanism in an operational state, guaranteeing the temperature regulation.
- Take care not to pinch the flexible hoses ⑩.
- To ensure the mixer functions correctly, balance the hot and cold water pressure ( $\Delta P < 1$  bar). Recommended pressure: 3 bar. Maximum pressure: 5 bar.
- If the hot water temperature is not correct when the control lever is in position ④, re-calibrate the temperature.

## REMEMBER

- **Our mixers must be installed by professional installers** in accordance with current regulations and recommendations in your country, and the specifications of the fluid engineer.
- **Sizing the pipes correctly** will avoid problems of flow rate, pressure loss and water hammer (see calculation table in our brochure and online at [www.delabie.com](http://www.delabie.com)).
- **Protect the installation** with filters, water hammer absorbers and pressure reducers to reduce the frequency of maintenance (recommended pressure from 1 to 5 bar (100 to 500 kPa) maximum).
- **Install stopcocks** close to the mixer to facilitate maintenance.
- The pipework, filters, non-return valves, stopcocks, bib taps, cartridge and all sanitary fittings should be checked at least once a year, and more frequently if necessary.

## CALIBRATING THE TEMPERATURE (FIG. C &amp; D)

Our mixers are pre-set at the factory under 3 bar pressure, with hot and cold water supply pressures balanced, and hot water temperature at 65°C +/- 5°C and cold water temperature at 15°C +/- 5°C. If the conditions of use are different, the mixed water temperature may differ from the set temperature (41°C). The control lever should be repositioned to the corresponding temperature (**Fig. C**):

- Turn the control lever ① to the maximum hot water position ④.
- Measure the temperature using a digital thermometer ⑪.
- Unscrew the grub screw ⑫ without fully removing it, using a 2.5mm Allen key, and remove the control lever.
- Using the 2.5mm Allen key, turn the screw on the spindle ⑬ clockwise or anti-clockwise to adjust the mixed water temperature (maximum temperature 41°C).
- Replace the control lever (**Fig. D**) in position ④ tighten the grub screw ⑫ (**Fig. C**) then turn the control lever to position ② to check that the flow stops.

To complete commissioning, a cold water failure should be carried out: within one second after isolating the cold water supply, flow from the valve should stop.

After commissioning, record the following temperatures with a thermometer:

1. Hot and cold water supplies.
2. Maximum mixed water.
3. Mixed water after isolating cold water supply noting particularly the maximum and final temperature.
4. Check equipment, thermometer, etc., used for measurements.

SECURITHERM mixers are designed to withstand thermal and chemical shocks recommended by current regulations.

It is possible to activate ① thermal shock at the temperature of the hot water in the system.

- Turn the control lever a to the maximum hot water position ④.
- Loosen the grub screw ⑫ without fully removing it, using a 2.5mm Allen key, and remove the control lever.
- Using the 2.5mm Allen key, turn the screw on the spindle ⑬ as far as possible to achieve the temperature of the hot water in the system (approx. 3 turns).

**Once the thermal shock is complete do not forget to re-commission the mixer.**

## IN-SERVICE TESTING

To comply with the National Health Service Model Engineering Specification DO8 and BuildCert TMV3 certification we recommend the following.

The purpose of in-service tests is to regularly monitor and record the performance of the thermostatic mixing valve.

Carry out the procedure ① to ③ above using the same equipment or the same specifications.

If the mixed temperature has changed significantly, from the previous test (e.g. > 1°C), record the change and before re-adjusting the mixed water temperature, check:

- That the in-line filters are clean.
- The check valves or other anti-back siphonage devices are in good working order.
- Any isolating valves are fully open.
- Check the balance between hot water and cold water ( $\Delta P < 1 \text{ bar}$ ).
- Remove and clean the thermostatic cell.

With an acceptable mixed water temperature, complete the procedure ① to ④ as set out in Commissioning above. If the final mixed water temperature is greater than 43°C, the system requires service work.

## FREQUENCY OF IN-SERVICE TESTING

To comply with the National Health Service Model Engineering Specification DO8 and BuildCert TMV3 certification in-service tests should be carried out with a frequency which identifies a need for service work before an unsafe temperature can result. In-service tests should initially, under normal conditions, be carried out 6 to 8 weeks and 12 to 15 weeks after commissioning. If no significant changes (e.g. 1°C) in mixed water temperatures are recorded between commissioning and the above in-service tests then the next in service tests can be deferred to 24 to 28 weeks after commissioning.

The general principal to be observed after the first 2 or 3 in-service tests is that the intervals of future tests should be set to those which previous tests have shown can be achieved with no more than a small change in mixed water temperature.

A cold water failsafe should be carried twice yearly. Flow from the valve should stop within one second after isolating the cold water supply.

## REMOVING THE BIOCLIP MIXER H9605 (FIG. E)

- To remove the body of the mixer from its base, shut off the water supply (stopcocks provided) ⑨ and loosen the grub screw ⑭ located on the side of the mixer without fully removing it, using a 3mm Allen key. To replace the mixer, snap the body vertically onto the base and tighten the grub screw. Open the stopcocks to allow the water to flow again. The mixer is supplied with a temporary cover which can be fitted to the mixer base before installing the mixer body to prevent the build-up of dirt and impurities etc.
- Cleaning the mixers regularly in a de-scaling solution will prevent the build-up of deposits and encrustations and eliminate biofilm.

- Check the calibration at least twice a year (**Fig. C & D**).
- We recommend checking the anti-scalding failsafe every two months and as often as necessary depending on the water quality. Shut off the cold water and ensure that the hot water stops within 2 seconds.
- To maximise the reliability of SECURITHERM thermostatic mixing valves over time, and to reduce the risks associated with Legionella, we recommend an annual check of the following items:
  1. Inter-changeable cartridge: de-scale internal parts and replace worn or damaged parts.
  2. Mixing chamber: de-scale.
  3. Replace the control lever and tighten to 13 Nm +/- 1 (**Fig. F**).
- In the event cartridge malfunction, please replace (**Fig. G**).
- We recommend checking that the thermostatic cartridge en "seats" are waterproof twice a year and as often as necessary depending on the water quality.

To check the seats:

  1. Shut off the hot water: check that there is no cross flow of cold water into the hot water system.
  2. Shut off the cold water: check that there is no cross flow of hot water into the cold water system.  
If there is cross flow, clean the seats or replace the thermostatic cartridge.

## MAINTENANCE & CLEANING

- **Cleaning chrome, aluminium and stainless steel:** do not use abrasive, chlorine or any other acid-based cleaning products. Clean with mild soapy water using a cloth or a sponge.
- **Frost protection:** drain the pipes and operate the mixer/tap/valve several times to drain any remaining water. In the event of prolonged exposure to frost, we recommend taking the mechanisms apart and storing them indoors.

### **After Sales Care Support:**

**For the UK market only:** Tel. 01491 821 821 - **email:** [technical@delabie.co.uk](mailto:technical@delabie.co.uk)

The installation guide is available on: [www.delabie.co.uk](http://www.delabie.co.uk)

**For all other markets:** Tel. +33 (0)3 22 60 22 74 - **email:** [sav@delabie.fr](mailto:sav@delabie.fr)

The installation guide is available on: [www.delabie.com](http://www.delabie.com)

- **Einbau und Inbetriebnahme unserer Armaturen müssen von geschultem Fachpersonal** unter Berücksichtigung der allgemein anerkannten Regeln der Technik **durchgeführt werden.**
- **Angemessene Leitungsquerschnitte** verhindern Wasserschläge oder Druck-/Durchflussverluste
- **Die Absicherung der Installation** mit Vorfiltern, Wasserschlag- oder Druckminderern reduziert die Wartungshäufigkeit (empfohlener Betriebsdruck 1 bis 5 bar (100 bis 500 kPa)).
- **Vorgelagerte Absperrventile** erleichtern die Wartung.
- Rohrleitungen, Schutzfilter, Rückflussverhinderer, Vorabsperungen, Auslaufventile, Kartusche und jede sanitäre Einrichtung müssen so oft wie nötig (mindestens einmal jährlich) überprüft werden.

## TECHNISCHE DATEN (Abb. B)

### Durchfluss:

- **Für die Waschtisch-Mischbatterien H9600/H9605:**  
Mischwassertemperatur 39 °C bei 3 bar Fließdruck: 5 Liter/min.
- **Für die Spültisch-Mischbatterien H9620/H9625:**  
Mischwassertemperatur 39 °C bei 3 bar Fließdruck: 9 Liter/min.

### Sicherheitsfunktion:

- Im Falle eines Ausfalls der Warm- oder Kaltwasserversorgung, schaltet sich die Mischwasserentnahme innerhalb ca. 2 Sekunden ab.
- Diese thermische Sicherheitsfunktion ist aktiv, wenn der Temperaturunterschied zwischen Warmwasser und Mischwasser größer als 15°C ist.
- Dieser Verbrühungsschutz sollte alle zwei Monate auf Verunreinigungen durch Schmutzpartikel oder Kalkablagerungen überprüft werden: schalten Sie hierfür die Kaltwasserzufuhr ab und testen Sie ob die Warmwasserversorgung innerhalb von 2 Sekunden stoppt.

Wird ein endständiger Filter oder ähnliches am Armaturenauslauf, Brauseschlauch oder Handbrause verwendet, muss dieser eine Durchflussmenge von mehr als 4 Liter pro Minute aufweisen, um Rückfließen zwischen Warmwasser und Kaltwasser sicher auszuschließen.

**Hinweis:** Der Verbrühungsschutz ist im Falle des Ausfalls der TW-Versorgung aktiv. Bei anderen Mischbatterien kann es zu Rückfließen von TWW in die TW-Leitung kommen, was in der Folge den automatischen Verbrühungsschutz deaktivieren würde.

Sichern Sie daher die TW-Versorgung der Armaturen mit Rückflussverhinderern.

## INSTANDHALTUNG & REINIGUNG

- **Reinigung der Chrom-, Aluminium- und Edelstahlteile:** Niemals scheuernde, chlor- oder säurehaltige Produkte verwenden. Mit milder Seifenlauge und einem weichen Tuch oder Schwamm reinigen.
- **Frostschutz:** Rohrleitungen absperren und Armatur zur Entleerung mehrmals betätigen. Ist der Mechanismus längerem Frost ausgesetzt, empfiehlt sich die Demontage und Einlagerung empfindlicher Bauteile.

### Technischer Kundendienst:

**Tel.:** +49 (0)231 496634-14 - **E-Mail:** kundenservice@delabie.de

Anleitung verfügbar unter: [www.delabie.de](http://www.delabie.de)

- **Nasza armatura musi być instalowana przez profesjonalnych instalatorów**, przestrzegając obowiązującego prawa, zapisów biur projektowych i dobrych praktyk.
- **Przestrzeganie średnicy rur** pozwala uniknąć uderzeń hydraulicznych lub straty ciśnienia/wielkości wypływu (tabele z obliczeniami w katalogu i na stronie internetowej [www.delabie.pl](http://www.delabie.pl)).
- **Ochrona instalacji filtrami**, amortyzatorami uderzeń hydraulicznych lub reduktorami ciśnienia, zmniejsza częstotliwość konserwacji (zalecane ciśnienie: 1 do 5 barów (100 do 500 kPa)).
- **Instalacja zaworów odcinających** w pobliżu armatury ułatwia konserwację.
- Instalacja, filtry, zawory zwrotne, zawory odcinające i czerpalne, głowice oraz każde urządzenie sanitarne muszą być sprawdzane tyle razy, ile jest to konieczne, jednak nie mniej niż raz w roku.

## OPIS TECHNICZNY (Rys. B)

### Wypływ:

- **Baterie umywalkowe H9600/H9605:**  
Temperatura Wody Zmieszanej 39°C przy 3 barach ciśnienia: 5 l/min.
- **Baterie zlewozmywakowe H9620/H9625:**  
Temperatura Wody Zmieszanej 39°C poniżej 3 barów ciśnienia: 9 l/min.

### Bezpieczeństwo:

- W przypadku nagłego braku zasilania w wodę zimną lub ciepłą, wypływ wody mieszanej zatrzyma się w około 2 sekundy.
- Ochrona antyoparzeniowa jest aktywna jeśli różnica temperatur między wodą ciepłą, a zmieszaną jest wyższa niż 15°C.
- Ochrona antyoparzeniowa musi być sprawdzana co 2 miesiące i jak często jest to konieczne w zależności od jakości wody. Należy zamknąć zasilanie w wodę zimną i upewnić się, że wypływ wody cieplej zostaje zatrzymany w mniej niż 2 sekundy.

W przypadku korzystania z urządzenia filtrującego lub innego urządzenia na wyjściu wylewki lub wylewki natryskowej, urządzenie to musi mieć wypływ powyżej 4 litrów na minutę, aby uniknąć zjawiska przenikania wody cieplej do zimnej i na odwrót.

**Uwaga:** Ochrona antyoparzeniowa jest aktywna w przypadku zaniku wody zimnej. Jeśli zamiast wody zimnej przez inną baterię przepływa woda ciepła, to ochrona antyoparzeniowa nie działa poprawnie. Należy założyć zawór zwrotny na zasilaniu wody zimnej w baterii.

## OBSŁUGA I CZYSZCZENIE

- **Czyszczenie chromu, aluminium i stali nierdzewnej:** nie należy używać środków żrących, na bazie chloru lub kwasu. Należy czyścić wodą z mydłem za pomocą miękkiej szmatki lub gąbki.
- **Ochrona przed mrozem:** należy opróżnić instalację, wielokrotnie uruchomić w celu ewakuacji wody. W przypadku długotrwałego narażenia mechanizmów na mróz zalecamy ich demontaż i przechowywanie w temperaturze pokojowej.



Znak budowlany B

### Serwis posprzedażowy:

Tel.: +48 22 789 40 52 - e-mail: [serwis.techniczny@delabie.pl](mailto:serwis.techniczny@delabie.pl)

Ulotka jest dostępna na stronie: [www.delabie.pl](http://www.delabie.pl)



- **Onze kranen dienen geplaatst te worden door professionele vaklui** die de plaatselijk geldende reglementering, de voorschriften van de studieburelen en de "regels der kunst" dienen te respecteren.
- **Respecteer de benodigde diameters van de leidingen** om waterslagen of druk/debietverliezen tegen te gaan (zie de berekeningstabel in de catalogus of op [www.delabiebelux.com](http://www.delabiebelux.com)).
- **Bescherm de installatie** met filters, waterslagdempers of drukregelaars en beperk zo het onderhoud (aanbevolen druk: 1 tot 5 bar (100 tot 500 kPa)).
- **Plaats stopkranen** in de nabijheid van de kraan om eventuele onderhoudswerken te vergemakkelijken.
- De leidingen, filters, terugslagkleppen, stopkranen, tapkranen, binnenwerken en andere sanitaire toestellen dienen zo vaak als nodig gecontroleerd te worden of toch minstens 1x per jaar.

## TECHNISCHE EIGENSCHAPPEN (Fig. B)

### Debiet:

- **Voor de wastafelmengkranen H9600/H9605:**  
Temperatuur Gemengd Water op 39°C onder 3 bar druk: 5 liter/min.
- **Voor de spoeltafelmengkranen H9620/H9625:**  
Temperatuur Gemengd Water op 39°C onder 3 bar druk: 9 liter/min.

### Veiligheid:

- In geval van plotse onderbreking van de koud watertoevoer of van de warm watertoevoer, wordt het gemengd waterdebiet afgesloten binnen ongeveer 2 seconden.
- Deze thermische veiligheid is actief bij een verschil van meer dan 15°C tussen het warm en gemengd water.
- De anti-verbrandingsveiligheid dient elke 2 maand of zo vaak als nodig, afhankelijk van de kwaliteit van het water, gecontroleerd te worden : sluit het koud water af en controleer of de warm water toevoer binnen de 2 seconden wordt onderbroken.

Wanneer een filter- of ander systeem gebruikt wordt op de uitloop van de kraan of op de douchekop, dient het debiet hoger te zijn dan 4 liter per minuut om een correcte menging te bekomen tussen warm en koud water.

**NB:** De anti-verbrandingsveiligheid is actief wanneer het koud water wordt onderbroken. Indien er in plaats van koud water, warm water terugkeert door een andere mengkraan, zal er geen anti-verbrandingsveiligheid zijn. Voorzie een terugslagklep op de toevoer van het koud water van de mengkraan.

## ONDERHOUD EN REINIGING

- **Reinigen van chroom, aluminium en rvs:** gebruik nooit schuurmiddelen en chloorhoudende of andere chemische producten. Reinig met zeepwater en een zachte doek of spons.
- **Vorstvrij stellen:** spoel de leidingen en stel de kraan enkele keren na elkaar in werking zodat ze volledig geleidigd wordt. Bij blootstelling aan vorst, raden we aan het mechanisme te demonteren en af te schermen.

### Dienst Na Verkoop:

**Tel.:** +32 2 882 32 04 - **e-mail:** [sav@delabiebelux.com](mailto:sav@delabiebelux.com)

Deze handleiding is beschikbaar op [www.delabiebelux.com](http://www.delabiebelux.com)

- **Nuestras griferías deben ser instaladas por instaladores profesionales** respetando las reglamentaciones vigentes, las prescripciones de las oficinas de proyectos fluidos.
- **Respetar el diámetro de las tuberías** permite evitar los golpes de ariete o pérdidas de presión/gasto (ver cuadro de cálculo del catálogo y en línea sobre [www.delabie.es](http://www.delabie.es)).
- **Proteger la instalación** con filtros, antiarrietes o reductores de presión disminuye la frecuencia de mantenimiento (presión aconsejada 1 a 5 bar (100 a 500 kPa)).
- **Poner llaves de paso cerca de los grifos** facilita la intervención de mantenimiento.
- Las tuberías, las llaves de paso, válvulas antirretorno, de purga, cartuchos y todo aparato sanitario deben revisarse siempre que sea necesario y por lo menos una vez al año.

## CARACTERÍSTICAS (Dib. B)

### Débit :

- **Para grifos mezcladores de lavabo H9600/H9605:**  
Temperatura del Agua Mezclada a 39°C a 3 bar de presión: 5 litros/min
- **Para grifos mezcladores de fregadero H9620/H9625:**  
Temperatura del Agua Mezclada a 39°C a 3 bar de presión: 9 litros/min

### Seguridad:

- En caso de corte brusco de la entrada de agua fría o del agua caliente, el caudal de agua mezclada se detiene en 2 segundos aproximadamente.
- Esta seguridad térmica se activa si la diferencia de temperatura entre el agua caliente y el agua mezclada es superior a 15 °C.
- La seguridad antiequemaduras debe comprobarse 2 veces al año y tantas veces como sea necesario según la calidad del agua. Corte el agua fría y asegúrese de que el agua caliente se bloquee en menos de 2 segundos..

Si se utiliza un sistema de filtración u otro dispositivo en la salida del caño o del rociador de la ducha, debe tener un caudal superior a 4 litros por minuto para evitar la intercomunicación entre el agua caliente y la fría.

**Nota:** anti-escaldadura es activa en caso de fallo de agua fría.

Si, en el sitio del agua fría, hay una vuelta de agua caliente a través de un grifo mezclador mecánico, no habrá seguridad antiequemadura. Prever poner una válvula antirretorno en la alimentación de agua fría del grifo mezclador mecánico.

## CONSERVACIÓN Y LIMPIEZA

- **Limpieza del cromo, aluminio y del acero inoxidable:** jamás utilizar abrasivos u otro producto a base de cloro o a base de ácido. Limpiar al agua ligeramente jabonosa, con un trapo o una esponja.
- **Puesta fuera de helada:** purgue las canalizaciones, y accione varias veces el fluxor/grifo/ grifo mezclador para vaciarlo de su contenido de agua. En caso de exposición prolongada a la escarcha, recomendamos desmontar los mecanismos y colocarlos en un lugar protegido.

### Servicio postventa:

Tel.: +33 (0)3 22 60 22 74 - e-mail: [sav@delabie.fr](mailto:sav@delabie.fr)

Esta instrucción está disponible en: [www.delabie.es](http://www.delabie.es)

- **As nossas torneiras devem ser instaladas por instaladores profissionais**, respeitando as regras em vigor, as prescrições dos gabinetes de estudo e as regras de arte.
- **Respeitar o diâmetro das tubagens** permite evitar os golpes de martelo ou perdas de pressão/débito (ver tabela de cálculo do catálogo on line em [www.delabie.pt](http://www.delabie.pt)).
- **Proteger a instalação** com filtros, anti-golpe de martelo ou redutores de pressão diminui a frequência de manutenção (pressão aconselhada 1 a 5 bar (100 a 500 kPa)).
- **Instalar válvulas de segurança** na proximidade das torneiras facilita a intervenção de manutenção.
- As canalizações, filtros, válvulas antirretorno, torneiras de segurança, de purga, cartuchos e todos os aparelhos sanitários devem ser verificados sempre que necessário e pelo menos, uma vez por ano.

## CARACTERÍSTICAS (Fig. B)

### Débit :

- **Para as misturadoras de lavatório H9600/H9605:**  
Temperatura Água Misturada a 39°C a 3 bar de pressão: 5 litros/min
- **Para as misturadoras de bancada H9620/H9625:**  
Temperatura Água Misturada a 39°C a 3 bar de pressão: 9 litros/min

### Segurança:

- No caso de corte repentino na entrada de água fria ou água quente, o débito de água misturada para em cerca de 2 segundos.
- Esta segurança térmica é ativada se a diferença de temperatura entre a água quente e a água misturada for superior a 15°C.
- A segurança anti-queimaduras deve ser verificada duas vezes por ano e, sempre que necessária de acordo com a qualidade da água. Cortar a água fria e garantir que a água quente bloqueia em menos de 2 segundos.

No caso de utilização de um sistema de filtração ou outro à saída da bica ou do chuveiro de duche, deve ter um débito superior a 4 litros por minuto, para evitar a intercomunicação entre água quente e água fria.

**Nota:** A segurança anti-queimaduras é ativada no caso de corte de água fria.

Se no lugar de água fria, existir um retorno de água quente por intermédio de uma misturadora mecânica, não existirá segurança anti-queimaduras. Prever a colocação de uma válvula antirretorno na alimentação de água fria da misturadora mecânica.

## CONSERVAÇÃO & LIMPEZA

- **Limpeza do cromado, alumínio e do Inox:** nunca utilizar produtos abrasivos ou à base de cloro ou ácido. Limpar com água ligeiramente ensaboada, com um pano ou esponja.
- **Riscos de gelo:** purgar as canalizações a acionar diversas vezes a torneira/misturadora para vaziar a água nela contida. Em caso de exposição prolongada ao gelo, recomendamos desmontar os mecanismos e colocá-los em local abrigado.

### Serviço Pós-Venda:

Tel.: +351 234 303 940 - email: [suporte.tecnico@delabie.pt](mailto:suporte.tecnico@delabie.pt)

Esta ficha está disponível em: [www.delabie.pt](http://www.delabie.pt)

- **Наша сантехническая арматура должна устанавливаться профессиональными сантехниками** с учетом действующих нормативных актов и предписаний проектных бюро.
- **Соблюдение диаметра труб** позволяет избежать гидравлических ударов или потери давления/расхода (см. таблицу по расчету в каталоге и на сайте [www.delabie.ru](http://www.delabie.ru)).
- **Защита установки** фильтрами, гасителями гидравлического удара или ограничителями давления снижает частоту процедур по уходу (рекомендованное давление: 1 - 5 бара).
- **Установка запорных вентилей** рядом с кранами облегчает техническое обслуживание.
- Канализационные трубы, фильтры, обратные клапаны, запорные вентили, водоразборный кран, картридж и любые другие сантехнические устройства должны подвергаться проверке так часто, как требуется, и как минимум раз в год.

## ТЕХНИЧЕСКИЕ ХАРАКТЕРИСТИКИ (СХЕМА В)

### Расход:

- **Для смесителей для раковины H9600/H9605 :**  
Температура смешанной воды 39°C при давлении 3 бара : 5 литров/мин.
- **Для смесителей для мойки H9620/H9625 :**  
Температура смешанной воды 39°C при давлении 3 бара: 9 литров/мин.

### Безопасность:

- В случае внезапного перекрытия подачи холодной воды или горячей воды, подача смешанной воды останавливается примерно через 2 секунды.
- Термическая безопасность активируется, если разница между температурой горячей и смешанной воды более 15°C.
- Антиожоговая безопасность должна проверяться каждые 2 месяца и так часто как это необходимо в зависимости от качества воды. Выключить холодную воду и убедиться, что горячая вода заблокирована в течение минимум 2 секунд.

В случае использования системы фильтрации или другой системы на конце излива или душевой головки, расход должен быть более 4 литров в минуту, чтобы избежать смешения между горячей и холодной водой.

**Важно:** Антиожоговая безопасность активируется при остановке подачи холодной воды. Если, вместо холодной воды, происходит возврат горячей воды через другой смеситель, антиожоговой безопасности не будет. Предусмотреть обратный клапан на входе холодной воды смесителя.

## УХОД И ЧИСТКА

- **Чистка хромированной, алюминиевой поверхности и поверхности из нержавеющей стали:** Никогда не используйте абразивные чистящие средства и другие продукты на основе хлора или кислот. Мойте тряпкой или губкой в слегка мыльной воде.
- **Защита от замораживания:** Ополосните канализационные трубы напором воды и нажмите несколько раз на кнопку крана, чтобы опорожнить от содержащейся в нем воды. В случае длительного воздействия холодных температур, рекомендуется демонтировать механизм и хранить в теплом помещении.

### Послепродажное обслуживание

**ПРЕДСТАВИТЕЛЬСТВО В РОССИИ тел.:** +7 495 787 62 04 / +7 495 787 64 32

Электронный адрес: [delabie@arbat-france.com](mailto:delabie@arbat-france.com)

**After Sales Care and Technical Support: DELABIE SCS: E-mail:** [sav@delabie.fr](mailto:sav@delabie.fr)